

# IBA-1

*I-Beam Adaptor*

## Product Features:

designed to adapt ceiling mounts to clamp  
to an I-Beam

accommodates from 2.25" to 12" flange widths

accommodates a maximum flange height of 1"

works with all manufactures mounting systems  
when using 1.5" NPT plumbing pipe

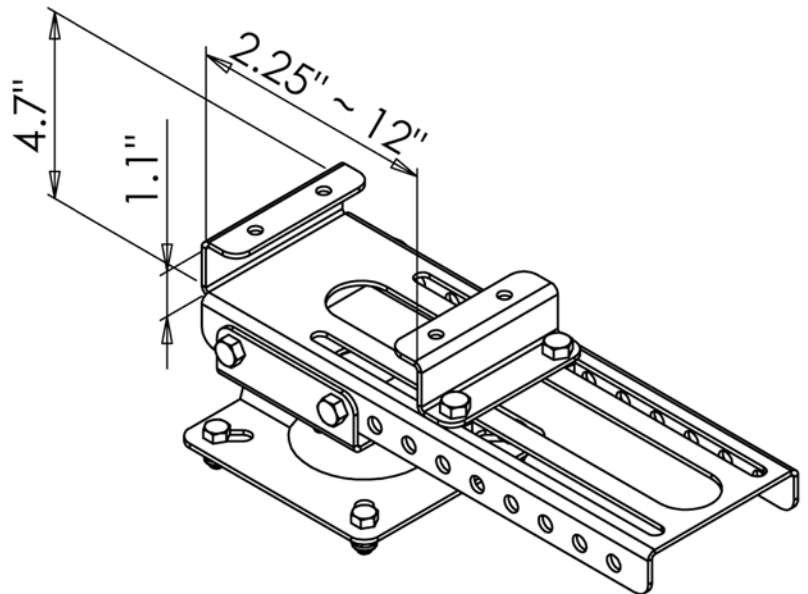
will also work with ceiling masts provided  
with the VMP014/024, VMP036/038, PM Series,  
LCD-2537C and PDM-C

Black powder coat finish

## Product Specifications:

*(for Architects & Engineers)*

The adaptor to attach a ceiling mount to I-Beams shall be the Video Mount Products (VMP) model IBA-1. The adaptor shall be able to adjust for I-Beam flange widths from 2.25" to 12". The adaptor shall be able to accommodate a maximum flange height of 1". The adaptor shall be able to be able to work with all manufacturers' mounts when using 1.5" NPT pipe. The adaptor shall work with the ceiling mast provided in any Video Mount Products (VMP) ceiling mount.



## Video Mount Products

325 Log Canoe Circle  
Stevensville, MD 21666

Phone: 410.643.6390

Fax: 410.643.6615

[www.videomount.com](http://www.videomount.com)

**VMP**  
VIDEO MOUNT PRODUCTS