

# IWB-1

*In Wall Box Adaptor*

## Product Features:

Holds most 15" – 37" monitors

Used in conjunction with the LCD-1 or the  
LCD-2537

Fits in between two 16" centered wooden studs

Includes paintable decorative plastic cover

Includes cable and electrical knockouts

Collapses flush with front face

Load capacity – 75 lbs

Includes silver adaptors for the LCD mounts  
(IWB-1B includes black adaptors)

## Product Specifications: *(for Architects & Engineers)*

The in-wall adaptor shall be the Video Mount Products (VMP) model IWB-1. The adaptor shall be used in conjunction with the LCD-1 or the LCD-2537. The adaptor shall be able to fit in between two 16" center wooden studs and shall come with the hardware to mount to said studs. The adaptor shall come with 2 electrical box knockouts and 4 cable knockouts. The adaptor shall come with a paintable finishing ring. The adaptor shall come with silver adaptors for the LCD-1 and the LCD-2537. The same unit with black adaptors for the LCD-1B and the LCD-2537B shall be called the IWB-1B.

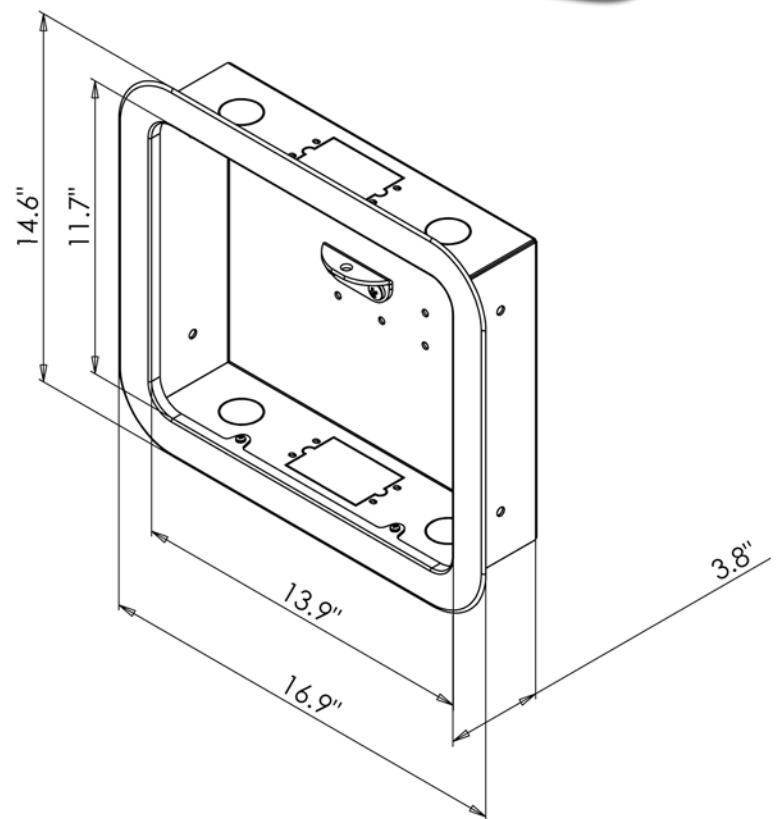
## Video Mount Products

325 Log Canoe Circle  
Stevensville, MD 21666

Phone: 410.643.6390

Fax: 410.643.6615

[www.videomount.com](http://www.videomount.com)



**VMP**  
VIDEO MOUNT PRODUCTS