

LCD-2537

*multi-configurable universal mid-size LCD
monitor wall mount*

Product Features:

can be used as a single arm, double arm articulating or near flush mount with parts provided

holds most 25" to 37" LCD monitors

accommodates monitors with 75, 100, 200 and 100 x 200 mm VESA standards

adjustable -5° to +30° tilt

rotates 240° at the monitor / 160° at the wall

rotates 240° at the elbow joint (double arm configuration)

feed through wall plate with decorative cover

includes clip based cable management system

load capacity - 75 lbs

silver powder coat finish

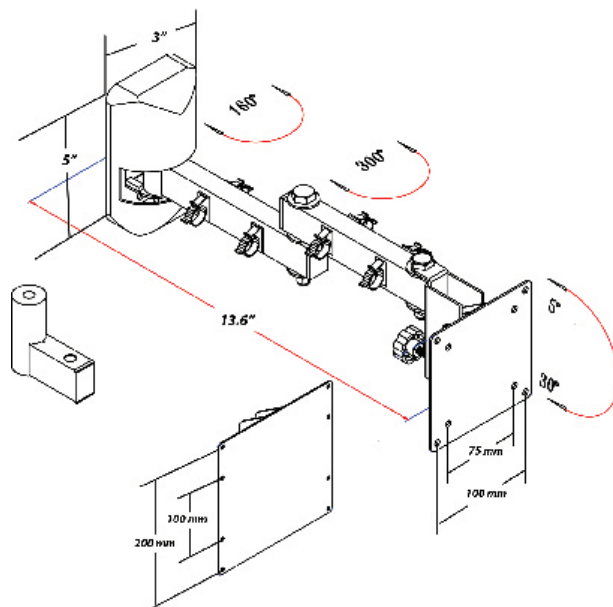
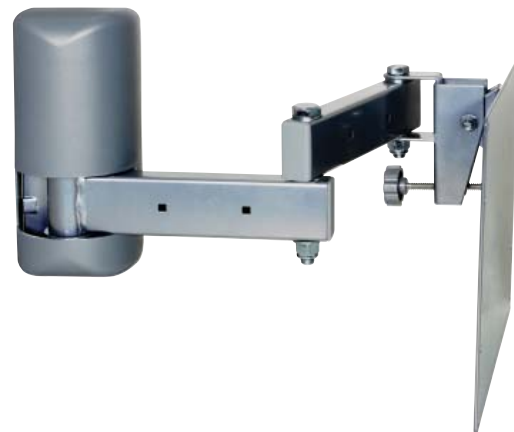
also available in black scratch resistant finish (LCD-2537B)

Product Specifications:

(for Architects & Engineers)

The articulating wall mount for the LCD display shall be the Video Mount Products (VMP) model LCD-2537. The mount shall be designed to attach to a single stud of other suitable support surface. The mount shall be constructed primarily of tubular steel and shall incorporate nylon nuts and arc welds. The mount shall be a universal style capable of mounting to all 25" to 37" LCD monitors that incorporate 75mm, 100mm, 100x200 mm, and 200mm standard mounting hole patterns and not necessarily be model specific. The mount shall include one mounting plate that meets VESA 75 and 100 and one mounting plate which meets VESA 100x200 and 200. The mount shall include a cable management system. The mount shall be multi-configurable and capable of being assembled as a double arm articulating, single arm, or near flush mount with parts provided. The mount must allow for adjustable tilt from -5° to 30°. The load capacity shall be 75 lbs.

Video Mount Products
325 Log Canoe Circle
Stevensville, MD 21666
Phone: 410.643.6390
Fax: 410.643.6615
www.videomount.com



VMP
VIDEO MOUNT PRODUCTS