

PMC-S

small projector enclosure for PM-2 & PM-3

Product Features:

16"L x 16"D x 10"H inner dimensions

lift off lid for installation & easy access hinge
for maintenance

adjustable front security bars for lens placement

tamper proof security screws included

black powder coat finish

Product Specifications:

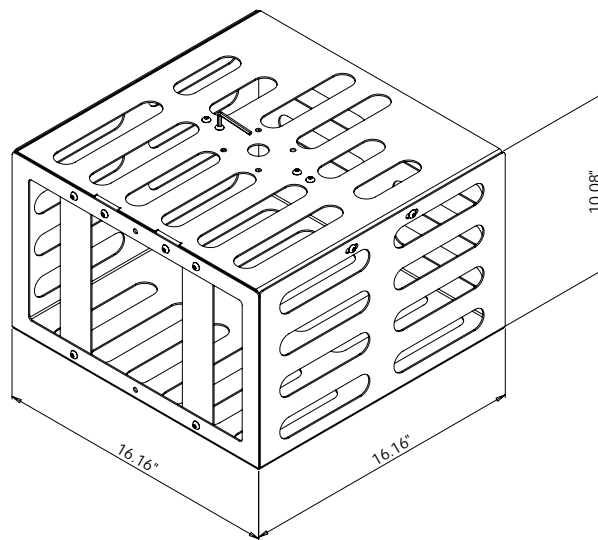
(for Architects & Engineers)

The projector enclosure for LCD projectors shall be the Video Mount Products (VMP) model PMC-S. The projector enclosure shall be primarily constructed of formed steel and shall incorporate arc welds. The enclosure shall be designed to work with the VMP projectors mounts PM-2 and PM-3. All hardware included with the PMC-S shall be security hardware and the front security bars shall be moveable to accommodate the lens position. The bottom of the enclosure shall be removable from the top for installation while still having the capability to remain hinged if desired for simple maintenance.

The dimensions of the enclosure shall be 16"L x 16"D x 10"H.



* projector and mount
not included *



Video Mount Products

325 Log Canoe Circle

Stevensville, MD 21666

Phone: 410.643.6390

Fax: 410.643.6615

www.videomount.com

VMP
VIDEO MOUNT PRODUCTS